

Fire Protection Products / Hose Valves

ISO 9001



A155

Pressure reducing device angle valve 175 lbs. rated

Adjustable restriction of residual pressures up to 175 lbs. Locking pin device restricts full opening of valve by untrained personnel, pin may be removed by firefighters to allow full opening of valve.

DOUBLE FEMALE

STANDARD EQUIPMENT:

Female NPT inlet and outlet forged brass valve.
Red hand wheel.

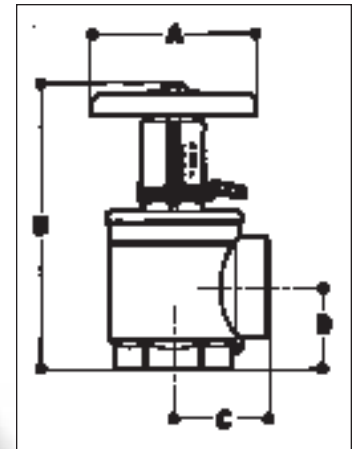
OPTIONAL FINISHES:

- PB
- RC
- PC



a	b
1 1/2"	1 1/2"
2 1/2"	2 1/2"

SPECIFY THREAD



	1 1/2" x 1 1/2"	2 1/2" x 2 1/2"
A	4 1/64"	5 1/8"
B	7 3/32"	9 31/32"
C	2 9/64"	3 5/16"
D	1 57/64"	2 41/64"

A156

Pressure reducing device angle valve 175 lbs. rated

Adjustable restriction of residual pressures up to 175 lbs. Locking pin device restricts full opening of valve by untrained personnel, pin may be removed by firefighters to allow full opening of valve.

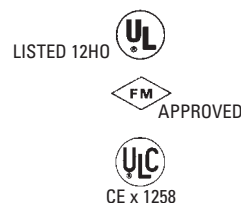
FEMALE x MALE

STANDARD EQUIPMENT:

Female NPT inlet x male hose thread outlet forged brass valve.
Red hand wheel.

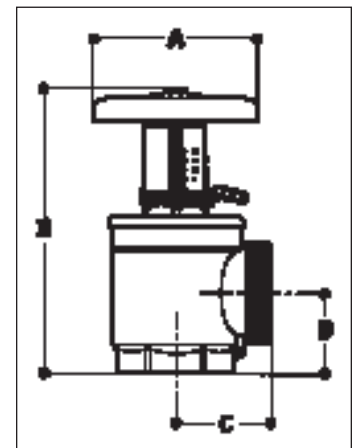
OPTIONAL FINISHES:

- PB
- RC
- PC



a	b
1 1/2"	1 1/2"
2 1/2"	2 1/2"

SPECIFY THREAD



	1 1/2" x 1 1/2"	2 1/2" x 2 1/2"
A	4 1/16"	5 1/8"
B	7 3/32"	9 31/32"
C	2 17/64"	3"
D	1 57/64"	2 41/64"

Fire Protection Products / Hose and Sprinkler Valves

A201

Angle pressure reducing valve with checking device

400 lbs. field adjustable automatic pressure regulating valve for use as a fire hose rack assembly valve or sprinkler control valve where pressure requires regulation.

DOUBLE FEMALE

STANDARD EQUIPMENT:

Cast bronze valve with Female NPT inlet and outlet.
Visual indicator.
Red hand wheel.

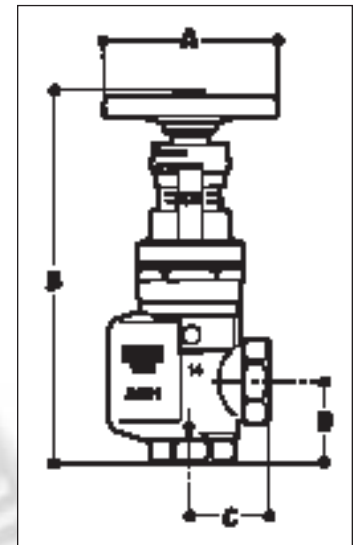
ISO 9001



LISTED 12HO
CE x 1259

a	b
2 1/2"	2 1/2"

SPECIFY THREAD



	2 1/2" x 2 1/2"
A	7 7/8"
B	17 27/32"
C	3 13/32"
D	3 3/4"

A202

Angle pressure reducing valve

400 lbs. field adjustable automatic pressure regulating valve for use as a fire hose rack assembly valve or sprinkler control valve where pressure requires regulation.

FEMALE x MALE

STANDARD EQUIPMENT:

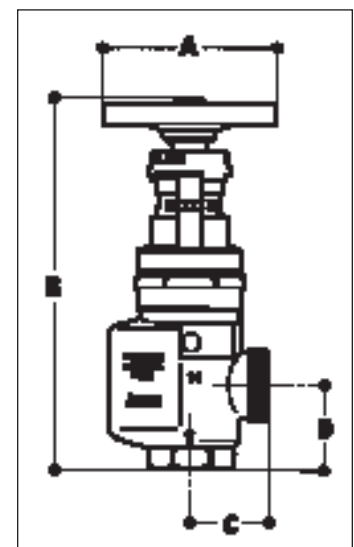
Cast bronze valve with Female NPT inlet x male hose thread outlet.
Visual indicator.
Red hand wheel.



LISTED 12HO
CE x 1259

a	b
2 1/2"	2 1/2"

SPECIFY THREAD



	2 1/2" x 2 1/2"
A	7 7/8"
B	17 27/32"
C	3 15/32"
D	3 3/4"

Fire Protection Products / Hose Valves

A53

Gate valve 300 lbs. rated

Straightway pattern, non-rising stem, 300 lbs. hose gate valves are intended for use on standpipes, fire pumps and hydrants.

FEMALE x MALE

STANDARD EQUIPMENT:

Female NPT inlet x male hose thread outlet, forged brass with red hand wheel, solid wedge disc with tapered seat. Available without cap and chain.

OPTIONAL FINISHES:

- PB
- RC
- PC

ISO 9001

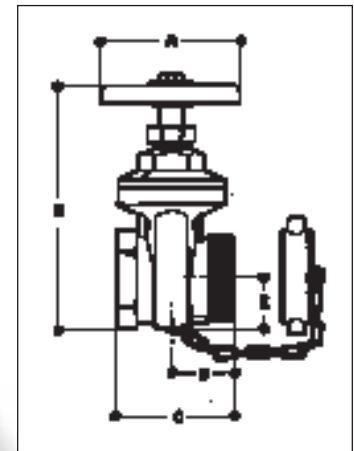


LISTED 618R



a	b
2 1/2"	2 1/2"
3"	2 1/2"

SPECIFY THREAD



2 1/2" x 2 1/2" 3" x 2 1/2"

	2 1/2" x 2 1/2"	3" x 2 1/2"
A	5 5/32"	5 5/32"
B	9 19/64"	9 19/64"
C	4 11/32"	4 17/32"
D	2 17/64"	2 17/64"
E	1 57/64"	1 57/64"

A53G

Single hydrant gate valve

Straightway pattern, non-rising stem, 300 lbs. hose gate valves are intended for use on standpipes, fire pumps and hydrants.

STANDARD EQUIPMENT:

Brass body with brass trim, pin lug, female hose thread swivel inlet x male hose thread outlet.

Red hand wheel.

Note: Particularly used when space limitation or appearance preclude a permanent type installation.

OPTIONAL TRIM:

Swivel inlet with rocker lugs.

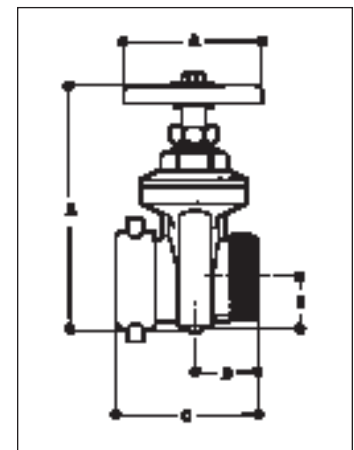


LISTED 618R



a	b
2 1/2"	2 1/2"

SPECIFY THREAD



2 1/2" x 2 1/2"

	2 1/2" x 2 1/2"
A	5 5/32"
B	9 19/64"
C	5 13/64"
D	2 17/64"
E	1 57/64"

Fire Protection Products / Hose Valves

A50

Angle hose valve with hydrolator

Used with a Fire Hose Rack Assembly, or as a Fire Dept. outlet connection.

DOUBLE FEMALE

STANDARD EQUIPMENT:

Female NPT inlet and outlet forged brass valve.
Red hand wheel.

OPTIONAL FINISHES:

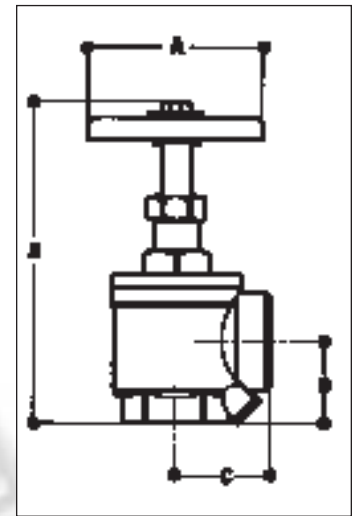
- PB
- RC
- PC

ISO 9001



a	b
1 1/2"	1 1/2"

SPECIFY THREAD



1 1/2" x 1 1/2"

A	4 1/64"
B	7 11/16"
C	2 9/64"
D	1 57/64"

A51

Angle hose valve with hydrolator

Used with a Fire Hose Rack Assembly, or as a Fire Dept. outlet connection.

FEMALE x MALE

STANDARD EQUIPMENT:

Female NPT inlet x male hose thread outlet forged brass valve.
Red hand wheel.

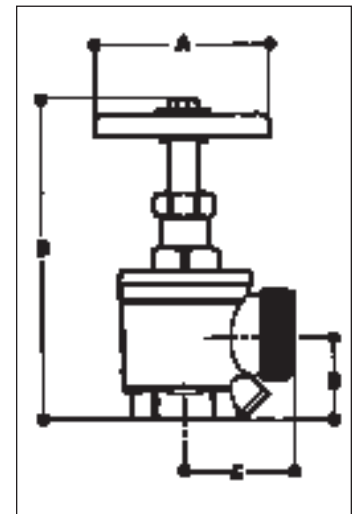
OPTIONAL FINISHES:

- PB



a	b
1 1/2"	1 1/2"

SPECIFY THREAD



1 1/2" x 1 1/2"

A	4 1/64"
B	7 11/16"
C	2 1/2"
D	1 57/64"

Fire Protection Products / Hose Valves

ISO 9001



A55

Angle hose valve 300 lbs. rated

Used with a Fire Hose Rack Assembly, or as a Fire Dept. outlet connection.

DOUBLE FEMALE

STANDARD EQUIPMENT:

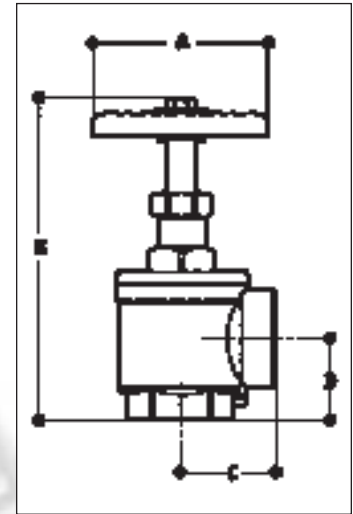
Female NPT inlet and outlet forged brass valve.
Red hand wheel.

OPTIONAL FINISHES:

- PB
- RC
- PC



SPECIFY THREAD



LISTED 618R



CE x 589

a	b
1 1/2"	1 1/2"
2 1/2"	2 1/2"

	1 1/2" x 1 1/2"	2 1/2" x 2 1/2"
A	4 1/64"	5 1/8"
B	7 11/16"	10 9/16"
C	2 9/64"	3 5/32"
D	1 57/64"	2 41/64"

A56

Angle hose valve 300 lbs. rated

Used with a Fire Hose Rack Assembly, or as a Fire Dept. outlet connection.

FEMALE x MALE

STANDARD EQUIPMENT:

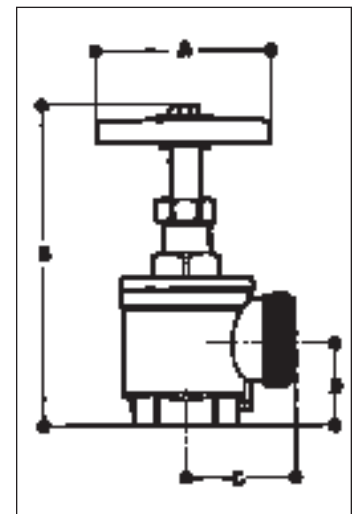
Female NPT inlet x male hose thread outlet forged brass valve.
Red hand wheel.

OPTIONAL FINISHES:

- PB
- RC
- PC



SPECIFY THREAD



LISTED 618R



CE x 589

a	b
1 1/2"	1 1/2"
2 1/2"	2 1/2"

	1 1/2" x 1 1/2"	2 1/2" x 2 1/2"
A	4 1/64"	5 1/8"
B	7 11/16"	10 9/16"
C	2 17/64"	3 3/16"
D	1 57/64"	2 41/64"

Fire Protection Products / Hose Valves

ISO 9001



A85

Straight globe hose valve 300 lbs. rated

Used with a Fire Hose Rack Assembly, or as a Fire Dept. outlet connection.

Ideal for wet and combination system.

DOUBLE FEMALE

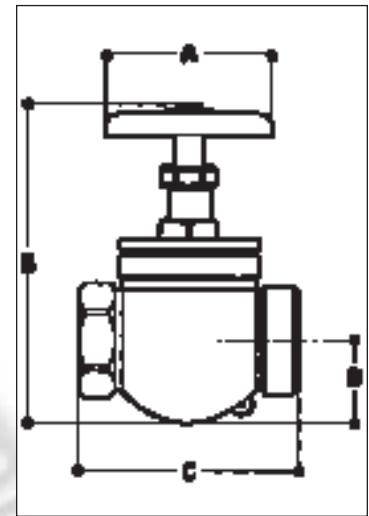
STANDARD EQUIPMENT:

Female NPT inlet and outlet cast brass valve, 300 lbs.
Red hand wheel.



a b
2 1/2" 2 1/2"

SPECIFY THREAD



2 1/2" x 2 1/2"

A	5 1/8"
B	10 53/64"
C	6 15/16"
D	2 5/8"

A86

Straight globe hose valve 300 lbs. rated

Used with a Fire Hose Rack Assembly, or as a Fire Dept. outlet connection.

Ideal for wet and combination system.

FEMALE x MALE

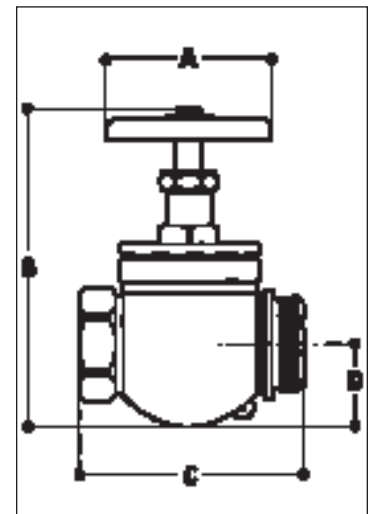
STANDARD EQUIPMENT:

Female NPT inlet x male hose thread outlet cast brass valve, 300 lbs.
Red hand wheel.



a b
2 1/2" 2 1/2"

SPECIFY THREAD



2 1/2" x 2 1/2"

A	5 1/8"
B	10 53/64"
C	7 3/64"
D	2 5/8"

Fire Protection Products / Fire Dept. Connections

A95

Straight single clapper two-way inlets

An exposed auxiliary inlet connection with 500 G.P.M. inlet capacity to supplement fire protection water supply. Exposed design provides an economical method of satisfying Fire Dept. inlet requirements.

STANDARD EQUIPMENT:

Cast brass two-way inlet body with single swing clapper and pin or rocker lug hose thread swivel; straight NPT outlet connection.

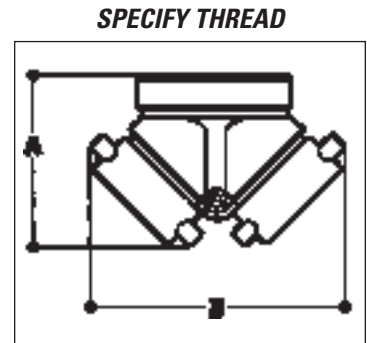
BRANDING:

"AUTO SPKR"

OPTIONAL FINISHES:

- RP

ISO 9001



SPECIFY THREAD

4" x 2 1/2"

A	5 ³³ / ₆₄ "
B	8 ⁵ / ₆₄ "



a	b
4"	2 1/2"

A96

90° single clapper two-way inlets

An exposed auxiliary inlet connection with 500 G.P.M. inlet capacity to supplement fire protection water supply. Exposed design provides an economical method of satisfying Fire Dept. inlet requirements.

STANDARD EQUIPMENT:

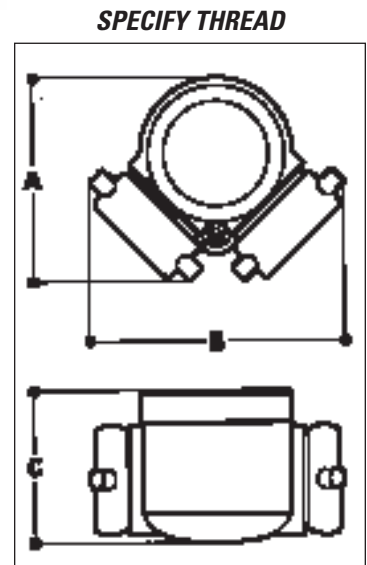
Cast brass two-way inlet body with single swing clapper and pin or rocker lug hose thread swivel; angle NPT outlet connection.

BRANDING:

"AUTO SPKR"

OPTIONAL FINISHES:

- RP



SPECIFY THREAD

4" x 2 1/2"

A	8 ⁵ / ₆₄ "
B	6 ¹¹ / ₁₆ "
C	4 ²⁹ / ₃₂ "



a	b
4"	2 1/2"

Fire Protection Products / Fire Dept. Connections

A97

Straight two-way male outlets

Used as a standpipe roof outlet connection by the fire service.

Provides 250 G.P.M. minimum per outlet.

Used with straight or angle hose valves to provide water control.

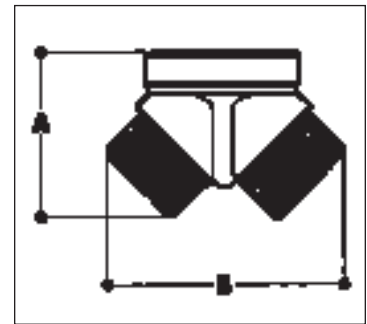
STANDARD EQUIPMENT:

Cast brass body with female NPT inlet and male NPT outlets.
Straight connection.

ISO 9001



SPECIFY THREAD



a	b
4"	2 1/2"

4" x 2 1/2"

A	4 11/16"
B	6 7/8"

A98

90° two-way male outlets

Used as a standpipe roof outlet connection by the fire service.

Provides 250 G.P.M. minimum per outlet.

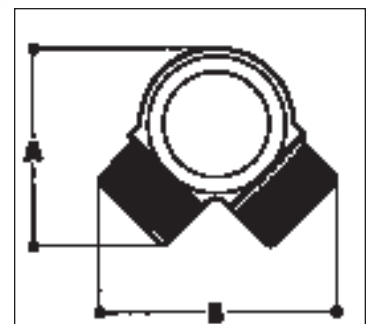
Used with straight or angle hose valves to provide water control.

STANDARD EQUIPMENT:

Cast brass body with female NPT inlet and male NPT outlets.
Angle connection.



SPECIFY THREAD



a	b
4"	2 1/2"

4" x 2 1/2"

A	5 24/32"
B	6 49/64"
C	5 5/16"

Fire Protection Products / Adapters and Connectors

A65

Hose rack mounting nipple

Used to mount or hold rack.

STANDARD EQUIPMENT:

Forged brass finish valve with male NPT inlet x male hose thread outlet.

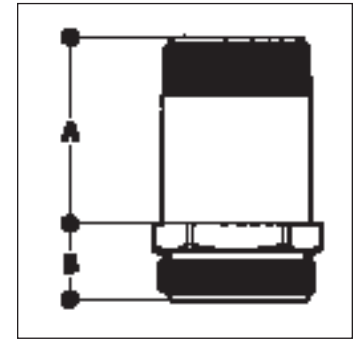
OPTIONAL FINISHES:

- PB
- RC
- PC

ISO 9001



SPECIFY THREAD



	$1\frac{1}{2}'' \times 1\frac{1}{2}''$	$2\frac{1}{2}'' \times 2\frac{1}{2}''$
A	$2\frac{9}{16}''$	$3\frac{7}{64}''$
B	$5\frac{9}{64}''$	$1\frac{11}{32}''$

A75

Female to male reducer

Used to reduce or change Fire Hose threads.

STANDARD EQUIPMENT:

Forged brass with pin or rocker lugs with female thread larger than male thread.

SPECIFY THREAD



	$2\frac{1}{2}'' \times 3\frac{3}{4}''$	$2\frac{1}{2}'' \times 1\frac{1}{2}''$	$2\frac{1}{2}'' \times 2''$
A	$1\frac{1}{16}''$	$1\frac{1}{16}''$	$1\frac{1}{16}''$
B	$4\frac{9}{64}''$	$5\frac{1}{8}''$	$4\frac{9}{64}''$



a	b
$2\frac{1}{2}''$	$3\frac{3}{4}''$
$2\frac{1}{2}''$	$1\frac{1}{2}''$
$2\frac{1}{2}''$	$2''$

Fire Protection Products / Adapters and Connectors

A90

Female open snoot

Used to connect fire hose standpipe or sprinkler system.

FEMALE (SWIVEL) x FEMALE

STANDARD EQUIPMENT:

Polish brass with female (pin lug swivel) hose inlet x female NPT outlet.

Swivel furnished with pin or rocker lugs.

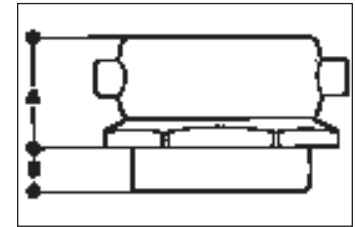
OPTIONAL FINISHES:

- PC

ISO 9001



SPECIFY THREAD



	2 1/2" x 2 1/2"	2 1/2" x 3"
A	1 7/8"	2 1/64"
B	1 3/16"	1 1/32"

a	b
2 1/2"	2 1/2"
2 1/2"	3"

A91

Male open snoot

Used to connect fire hose standpipe or sprinkler system.

FEMALE (SWIVEL) x MALE

STANDARD EQUIPMENT:

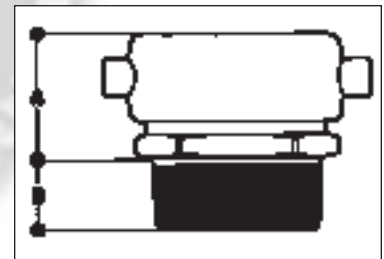
Forged brass with female (pin lug swivel) hose inlet x male NPT outlet.

Swivel furnished with pin or rocker lugs.

OPTIONAL FINISHES:

- PB
- RC
- PC

SPECIFY THREAD



	1 1/2" x 1 1/2"	2 1/2" x 2"	2 1/2" x 2 1/2"	2 1/2" x 3"
A	1 27/64"	1 57/64"	1 57/64"	1 31/32"
B	1 3/16"	1 51/64"	1 15/64"	1 13/64"



a	b
1 1/2"	1 1/2"
2 1/2"	2"
2 1/2"	2 1/2"
2 1/2"	3"

Fire Protection Products / Adapters and Connectors

A83

Female open snoot base

To be used on any thread swivel A89.

MALE x FEMALE

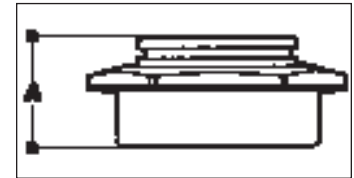
STANDARD EQUIPMENT:

Forged brass with female hose inlet x female NPT outlet.

ISO 9001



SPECIFY THREAD



	2 1/2" x 2 1/2"	2 1/2" x 3"
A	1 3/4"	2 5/64"

a	b
2 1/2"	2 1/2"
2 1/2"	3"

A87

Male open snoot base

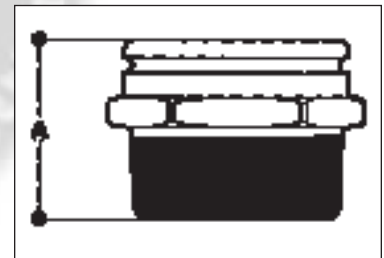
To be used on any thread swivel A89.

MALE x FEMALE

STANDARD EQUIPMENT:

Forged brass with female hose inlet x male NPT outlet.

SPECIFY THREAD



	1 1/2" x 1 1/2"	2 1/2" x 2"	2 1/2" x 2 1/2"	2 1/2" x 3"
A	1 41/64"	1 49/64"	2 11/64"	2 5/64"



a	b
1 1/2"	1 1/2"
2 1/2"	2"
2 1/2"	2 1/2"
2 1/2"	3"

Fire Protection Products / Adapters and Connectors

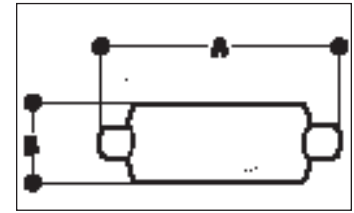
A89 Swivel

Available with pin or rocker lugs.

ISO 9001



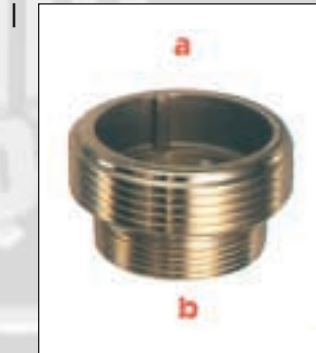
SPECIFY THREAD



	$2\frac{1}{2}''$	
A	$4\frac{9}{16}''$	
B	$1\frac{29}{64}''$	

A88 Male to male adapter

To convert NPT female thread to male hose thread.



SPECIFY THREAD



	$2\frac{1}{2}'' \times 2\frac{1}{2}''$	$2\frac{1}{2}'' \times 3''$
A	$1\frac{29}{64}''$	$1\frac{31}{32}''$

a	b
$2\frac{1}{2}''$	$2\frac{1}{2}''$
$2\frac{1}{2}''$	$3''$

A88G Male to groove adapter

To convert NPT female thread to Groove thread.



SPECIFY THREAD



	$2\frac{1}{2}'' \times 2\frac{1}{2}''$	$4'' \times 4''$
A	$2\frac{3}{64}''$	$2\frac{3}{64}''$

a	b
$2\frac{1}{2}''$	$2\frac{1}{2}''$
$4''$	$4''$

Fire Protection Products / Adapters and Connectors

A93

Female to male adapter

To adapt or reduce threads or change NPT pipe thread to hose thread.

FEMALE x MALE

STANDARD EQUIPMENT:

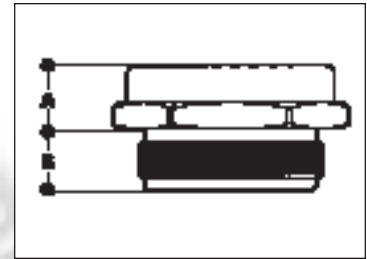
Brass hexagon type.

ISO 9001



a	b
1 1/2"	1 1/2"
2 1/2"	2"
2 1/2"	2 1/2"

SPECIFY THREAD



	1 1/2" x 1 1/2"	2 1/2" x 2"	2 1/2" x 2 1/2"
A	51/64"	1 3/64"	1 9/64"
B	39/64"	53/64"	1"

A92

Male to male adapter

To adapt or reduce threads, and change NPT pipe thread to hose thread.

MALE x MALE

STANDARD EQUIPMENT:

Brass hexagon type.



a	b
1 1/2"	1 1/2"
2 1/2"	2"
2 1/2"	2 1/2"
2 1/2"	3"

SPECIFY THREAD



	1 1/2" x 1 1/2"	2 1/2" x 2"	2 1/2" x 2 1/2"	2 1/2" x 3"
A	61/64"	1 7/16"	1 7/16"	1 25/64"
B	13/16"	13/16"	1 15/64"	1 19/64"

Fire Protection Products / Adapters and Connectors

A94

Female to female adapter

For thread conversion.

FEMALE x FEMALE

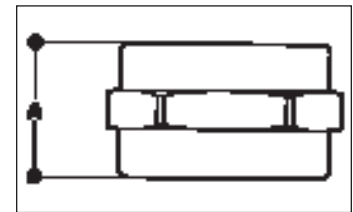
STANDARD EQUIPMENT:

Brass hexagon type.

ISO 9001



SPECIFY THREAD



a	b
1 1/2"	1 1/2"
2 1/2"	2 1/2"

	1 1/2" x 1 1/2"	2 1/2" x 2 1/2"
A	1 27/64"	2 3/64"

A104

Bushing

To change 4" to 6" thread.

FEMALE x MALE

STANDARD EQUIPMENT:

Brass bushing with female thread on one end and male on other end.



SPECIFY THREAD



a	b
6"	4"

	6" x 4"
A	2 25/64"

Fire Protection Products / Accessories

ISO 9001



A80

Cap and Chain

To cover and protect male outlet threads on valves and hydrants. Prevents entry of foreign material.

STANDARD EQUIPMENT:

Forged brass with chain.

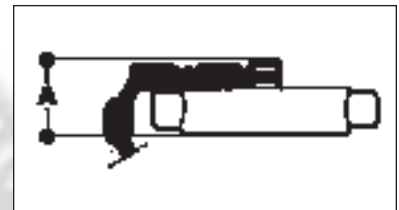
Available with pin or rocker lugs.

OPTIONAL FINISHES:

- PB
- RC
- PC



SPECIFY THREAD



	1 1/2"	2 1/2"
A	1 15/64"	1 35/64"

A81

Plug and Chain

For Fire Dept. inlet connections. Prevents entry of foreign matter and protects female threads.

STANDARD EQUIPMENT:

Forged brass plug with male hose thread and attached chain.

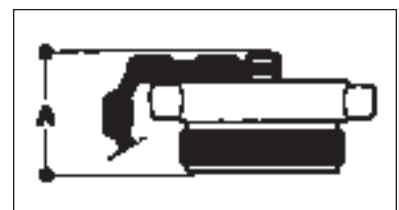
Available with pin or rocker lugs.

OPTIONAL FINISHES:

- PB
- RC
- PC



SPECIFY THREAD



	1 1/2"	2 1/2"
A	1 35/64"	2 7/32"

Fire Protection Products / Accessories

ISO 9001



A80P

Cap and Chain in plastic (ABS) red color

To cover and protect male outlet threads on valves and hydrants. Prevents entry of foreign material.

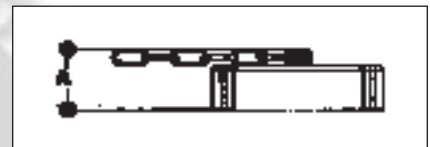
STANDARD EQUIPMENT:

ABS - with chain.

Available with rocker lugs.



SPECIFY THREAD



	1 1/2"	2 1/2"
A	1 15/64"	1 35/64"

A80PC

Cap and Chain in plastic (ABS) chrome plated

To cover and protect male outlet threads on valves and hydrants. Prevents entry of foreign material.

STANDARD EQUIPMENT:

ABS - with chain.

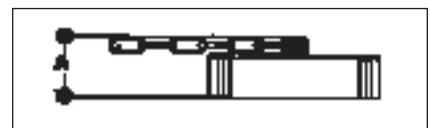
Available with rocker lugs.

OPTIONAL FINISHES:

- PC



SPECIFY THREAD



	1 1/2"	2 1/2"
A	1 15/64"	1 35/64"

Fire Protection Products / Couplings

ISO 9001



A70

Double jacket brass coupling

Pin or rocker lug coupling for use with single or double jacket lined hose.

STANDARD EQUIPMENT:

Forged brass finish, 1 1/2" or 2 1/2" sizes, with swivels washer.

COUPLING JACKET:

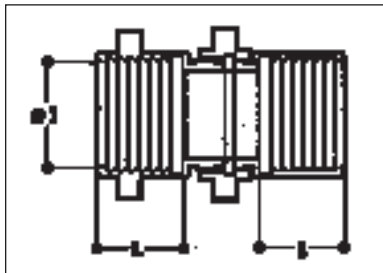
- S- Single
- D- Double
- L- Linen

OPTIONAL FINISHES:

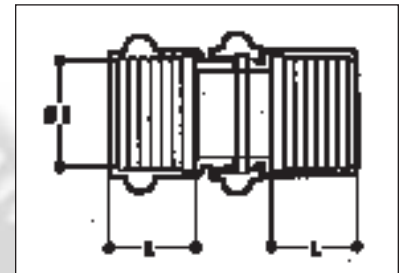
- PB
- RC
- PC



SPECIFY THREAD



SPECIFY THREAD



TYPE	LENGHT	THREAD	Ø i	JACKET	TYPE	LENGHT	THREAD	Ø i	JACKET
C ₀	28.5	1 1/2" NST	1 11/16"	L	A ₀	28.5	1 1/2" NST	1 11/16"	L
D ₀	28.5	1 1/2" NPSH	1 11/16"	L	B ₀	28.5	1 1/2" NPSH	1 11/16"	L
E	31.8	1 1/2" NST	1 3/4"	S	M	31.8	1 1/2" NST	1 3/4"	S
F	31.8	1 1/2" NPSH	1 3/4"	S	O	31.8	1 1/2" NPSH	1 3/4"	S
P	31.8	1 1/2" NST	1 13/16"	S	Q	31.8	1 1/2" NST	1 13/16"	S
R	31.8	1 1/2" NPSH	1 13/16"	D	S	31.8	1 1/2" NPSH	1 13/16"	S
E ₀	38.2	1 1/2" NST	1 3/4"	D	U ₀	38.2	1 1/2" NST	1 7/8"	D
F ₀	38.2	1 1/2" NPSH	1 3/4"	D	Z ₀	38.2	1 1/2" NPSH	1 7/8"	D
T ₀	38.2	1 1/2" NST	1 7/8"	D	U	38.2	1 1/2" NST	1 5/16"	D
V ₀	38.2	1 1/2" NPSH	1 7/8"	D	Z	38.2	1 1/2" NPSH	1 5/16"	D
T	38.2	1 1/2" NST	1 5/16"	D	W	38.2	1 1/2" NST	2"	D
V	38.2	1 1/2" NPSH	1 5/16"	D	J	38.2	1 1/2" NPSH	2"	D
K	38.2	1 1/2" NST	2"	D	M ₀	38.2	1 1/2" NST	1 3/4"	D
Y	38.2	1 1/2" NPSH	2"	D	O ₀	38.2	1 1/2" NPSH	1 3/4"	D
A ₁	38.8	2 1/2" NST	2 11/16"	L	E ₁	38.8	2 1/2" NST	2 13/16"	S
C ₁	38.8	2 1/2" NST	2 11/16"	S	G ₁	38.8	2 1/2" NPSH	2 13/16"	S
B ₁	38.8	2 1/2" NYFD	2 11/16"	L	T ₁	38.8	2 1/2" NST	2 27/32"	S
B ₂	38.8	2 1/2" NYC	2 11/16"	L	V ₁	38.8	2 1/2" NPSH	2 27/32"	S
L ₁	38.8	2 1/2" NYFD	2 11/16"	S	T ₂	38.8	2 1/2" NYC	2 27/32"	S
D ₁	38.8	2 1/2" NST	2 13/16"	S	A ₃	38.8	2 1/2" CSA	2 3/4"	S
D _{2c}	38.8	2 1/2" NYC	2 13/16"	S	C ₃	38.8	2 1/2" QST	2 3/4"	S
D _{2D}	38.8	2 1/2" NYFD	2 13/16"	S	E ₃	38.8	2 1/2" BCT	2 3/4"	S
F ₁	38.8	2 1/2" NPSH	2 13/16"	S	F ₃	38.8	2 1/2" WCT	2 3/4"	S
S ₁	38.8	2 1/2" NST	2 27/32"	S	D ₃	38.8	2 1/2" NST	2 3/4"	S
U ₁	38.8	2 1/2" NPSH	2 27/32"	S	H ₃	38.8	2 1/2" NSST	2 3/4"	S
S ₂	38.8	2 1/2" NYC	2 27/32"	S	N ₁	45.2	2 1/2" NST	3"	D
M ₁	45.2	2 1/2" NST	3"	D	P ₁	45.2	2 1/2" NPSH	3"	D
O ₁	45.2	2 1/2" NPSH	3"	D	N ₂	45.2	2 1/2" NYC	3"	D
AA	31.8	2" NST	2 19/64"	S	Z ₁	45.2	2 1/2" NST	2 15/16"	D
BB	31.8	2" NPSH	2 19/64"	S	B ₃	45.2	2 1/2" CSA	3"	D
CC	38.2	2" NST	2 35/64"	D	G ₃	45.2	2 1/2" QST	3"	D
DD	38.2	2" NPSH	2 35/64"	D					

Fire Protection Products / Couplings

ISO 9001



A70

Single jacket brass coupling

Pin or rocker lug coupling for use with single or double jacket lined hose.

STANDARD EQUIPMENT:

Forged brass finish, 1 1/2" or 2 1/2" sizes and swivel washer.

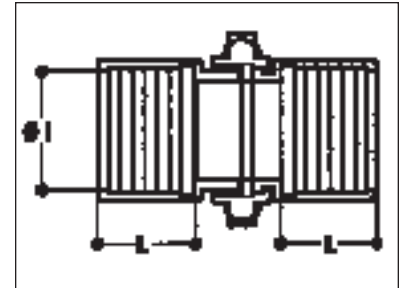
COUPLING JACKET:

- S- Single
- L- Linen

OPTIONAL FINISHES:

- PB
- RC
- PC

SPECIFY THREAD



TYPE	LENGHT	THREAD	Ø i	JACKET
A	28.5	1 1/2" NST	1 11/16"	L
A ₂	28.5	1 1/2" CHT	1 11/16"	L
B	28.5	1 1/2" NPSH	1 11/16"	L
L	28.5	1 1/2" NYFD	1 11/16"	L
N	28.5	1 1/2" PCT	1 11/16"	L
C	28.5	1 1/2" NST	1 3/4"	S
D	28.5	1 1/2" NPSH	1 3/4"	S
G	28.5	1 1/2" NST	1 11/16"	L
I	28.5	1 1/2" NPSH	1 11/16"	L
H	28.5	1 1/2" NST	1 3/4"	L

A71

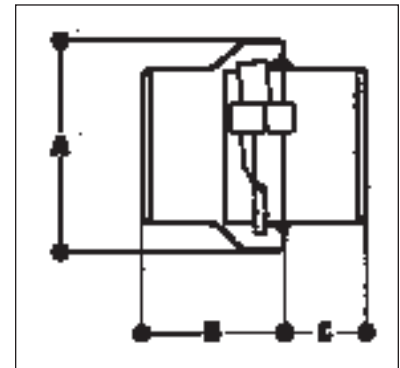
Forestry coupling

STANDARD EQUIPMENT:

Forged brass external long quick connect coupling for forestry fire hose.



SPECIFY THREAD



	1 1/2"
A	2 49/64"
B	1 13/16"
C	1 9/32"

Nozzles

Model 1575

1½" combination fog nozzle, constructed of polycarbonate and precision moulded from the latest developments in the industry. Ideal for industrial and commercial installations, as well as small fire companies.

Color: Red or Chrome Plated

AVAILABLE THREADS:

- NHT, SIPT, NY (FD), NY Corp., Chicago (FD), Pacific Coast.
- Height - 4⁵/₈"
- Gallonage - 75 GPM (US)
- Factory Mutual Approved, ULC Listed & Labeled.



Model 2520

2½" combination fog nozzle, moulded from polycarbonate with 2½" attaching threads. Ideal for inplant protection when large hose is in use, and for small fire companies where price is a factor.

AVAILABLE THREADS:

- NHT, NY Corp., NY (FD), Chicago (FD), CSA (5 x 3¹/₈"), B.C. & A.M.A. (8 x 3), Nova Scotia Std. (5 x 3¹/₄").
- Height - 9"
- Gallonage - 150 GPM (US)
- Factory Mutual Approved, ULC Listed.



Model 1550

1½" straight stream forestry fire nozzle. The 1550 has the same moulded high strength features as other proven U.F.S. nozzles. Solid one piece reversible twin tips (P/N 1550-T) ¼" & 3⁄8".

- Nozzle Bore - ½".
- O/A length (c/w tip) - 9".
- Tip length - 2³/₈".
- O/A length (w/o tip) - 7¹/₈".
- Weight - 5 oz.



THREADS TO BE SPECIFIED

Nozzles and Valves

Model 1675

1½" forged bronze combination fog nozzle.

AVAILABLE THREADS:

- NHT & SIPT.
- Height - 4⁵/₈".
- Weight - 2 lbs.
- Gallonage - 75 GPM (US).
- Factory Mutual Approved, ULC Listed & Labeled.



Model MK-15

1½" forged bronze combination fog nozzle.

- Thread 1.5" NPSH.
- Gallonage - 75 GPM.
- F.M. Listed.
- Weight - 1.60 lbs.



Model HB200

Straight hose nozzles Brass construction.

- Sizes: 1" x 6" — 1¼" x 10"
1½" x 6" — 1½" x 10"
2" x 12" — 2½" x 12"



Model AK-2286

- Solid top.
- Full flow waterway.
- Non-rising stem.
- High-strength heat treated, hard anodized aluminum body and swivel.
- Bronze stem, gland, gate and nipple.
- Bronze seat.
- Ball bearing swivel.
- Precision threads.
- Weighs only 6 pounds.
- Size: 2½".

Also available in Brass or Polished Chrome.
Pressure results available.



Rite Connections

PART A

Adaptor Female Thread

SIZE	1/2"	3/4"	1"	1 1/4"	1 1/2"	2"
PART NO.	050A	075A	100A	125A	150A	200A
SIZE	2 1/2"	3"	4"	5"	6"	8"
PART NO.	250A	300A	400A	500A	600A	800A

PART C

Hose Shank Coupler

SIZE	1/2"	3/4"	1"	1 1/4"	1 1/2"	2"
PART NO.	050C	075C	100C	125C	150C	200C
SIZE	2 1/2"	3"	4"	5"	6"	8"
PART NO.	250C	300C	400C	500C	600C	800C

PART B

Coupler Male Thread

SIZE	1/2"	3/4"	1"	1 1/4"	1 1/2"	2"
PART NO.	050B	075B	100B	125B	150B	200B
SIZE	2 1/2"	3"	4"	5"	6"	
PART NO.	250B	300B	400B	500B	600B	

PART F

Adaptor Male Thread

SIZE	1/2"	3/4"	1"	1 1/4"	1 1/2"	2"
PART NO.	050F	075F	100F	125F	150F	200F
SIZE	2 1/2"	3"	4"	5"	6"	
PART NO.	250F	300F	400F	500F	600F	



A



C



F



B

ALSO AVAILABLE, BRASS OR STAINLESS

Rite Connections

PART D **Coupler Female Thread**

SIZE	1/2"	3/4"	1"	1 1/4"	1 1/2"	2"
PART NO.	050D	075D	100D	125D	150D	200D
SIZE	2 1/2"	3"	4"	5"	6"	8"
PART NO.	250D	300D	400D	500D	600D	800D

PART E **Hose Shank Adaptor**

SIZE	1/2"	3/4"	1"	1 1/4"	1 1/2"	2"
PART NO.	050E	075E	100E	125E	150E	200E
SIZE	2 1/2"	3"	4"	5"	6"	8"
PART NO.	250E	300E	400E	500E	600E	800E

PART DC **Dust Cap For Adaptors**

SIZE	1/2"	3/4"	1"	1 1/4"	1 1/2"	2"
PART NO.	050DC	075DC	100DC	125DC	150DC	200DC
SIZE	2 1/2"	3"	4"	5"	6"	8"
PART NO.	250DC	300DC	400DC	500DC	600DC	800DC

PART DP **Dust Plug For Couplers**

SIZE	1/2"	3/4"	1"	1 1/4"	1 1/2"	2"
PART NO.	050DP	075DP	100DP	125DP	150DP	200DP
SIZE	2 1/2"	3"	4"	5"	6"	8"
PART NO.	250DP	300DP	400DP	500DP	600DP	800DP



D



E



DP



DC

ALSO AVAILABLE, BRASS OR STAINLESS